

**RENAULT
MASTER**



overseas model shown

- 01. interior trims**
- 02. equipment**
- 03. powertrains and weights**
- 04. dimensions**
- 05. equipment and options**

01. interior trims



- glazed steel bulkhead
- dark grey cloth seat upholstery
- height, reach & lumbar adjustable driver's seat w/ armrest
- dual passenger bench seat w/ fold down centre seat & seat back table
- 7" medianav touchscreen with Apple CarPlay® and Android Auto® replication^

^ compatibility may vary depending on phone.
Apple CarPlay® is a trademark of Apple Inc., registered in the U.S. and other countries and regions.
Android Auto™ is a trademark of Google LLC.

02. equipment

passive safety

- driver & passenger front airbags
- 3-point seat belts w/ pre-tensioner and driver height adjustment
- driver side airbags
- driver seat belt warning
- brake pad wear indicator

active safety

- cruise control & speed limiter
- rear parking sensors
- reversing camera
- blind spot warning
- lane departure warning

connectivity and multimedia

- MediaNav 7" touchscreen media & navigation system w/ Apple CarPlay® and Android Auto® smartphone replication^
- multifunction trip computer
- Bluetooth® hands-free w/ audio streaming^
- USB audio input & 3.5mm AUX jack
- 12V power outlet

convenience

- automatic dusk sensing headlights
- automatic high/low beam headlight function
- rear window demister
- wide view mirror
- overhead storage shelf
- large dashboard storage compartment
- drink bottle storage x 2

comfort

- height, reach and lumbar adjustable driver's seat w/ armrest
- dual passenger bench seat w/ fold down centre seat & seat back table
- air conditioning w/ pollen filter

interior styling

- dark grey cloth seat upholstery

exterior styling

- 16" steel wheels
- front LED daytime running lights
- body side protection mouldings
- left sliding door - unglazed
- rear barn doors - glazed
- spare wheel (under body)

cargo area

- steel bulkhead - glazed
- cargo bay light
- 12V power outlet
- cargo tie down points
- grab handles

main options

- left and right sliding doors - glazed (N/A with Trade Pack)
- right sliding door
- Isringhausen® Driver suspension seat – implies no driver side airbag
- differential lock (RWD only)
- smart rear-view mirror
- single passenger seat – implies dual side airbags (N/A with driver suspension seat)*

- Trade pack
 - wooden floor
 - full height wood wall lining
 - LED ceiling lights
 - heavy duty battery
 - spare wheel protection
 - basket

- Business pack
 - climate control
 - extra tinted windows
 - 17" alloy wheels
 - heated driver seat
 - LED cabin lights
 - navigation system with overspeed prevention
 - chrome animation on the front grille
 - painted front bumper
 - painted door mirrors
 - painted rear tail light column

^ compatability may vary depending on phone.

Apple CarPlay® is a trademark of Apple Inc., registered in the U.S. and other countries and regions.

Android Auto™ is a trademark of Google LLC.

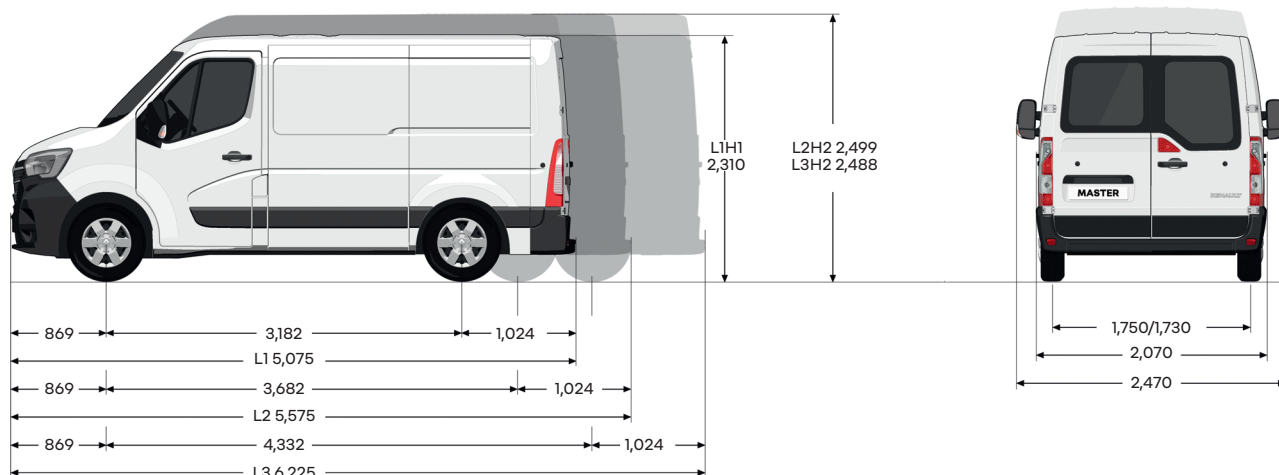
03. powertrains and weights

	L2H2 MWB FWD MT PRO 120kW	L2H2 MWB FWD AMT PRO 110kW	L3H2 LWB FWD MT PRO 120kW	L3H2 LWB FWD AMT PRO 110kW	L3H2 LWB RWD MT PRO 120kW	L4H3 ELWB RWD MT PRO 120kW
engine & transmission						
Type	2.3L Diesel					
Capacity (cc)	2299					
Number of cylinders/ valves	4/16					
Bore x stroke (mm)	85 x 101.3					
Maximum power (kW @ rpm)	120 @ 3500	110 @ 3500	120 @ 3500	110 @ 3500	120 @ 3500	120 @ 3500
Maximum torque (Nm @ rpm)	360 @ 1500	350 @ 1500	360 @ 1500	350 @ 1500	360 @ 1500	360 @ 1500
Fuel type	Diesel					
Fuel injection type	Twin-Turbo & Intercooled Direct Injection Diesel	Turbocharged & Intercooled Direct Injection Diesel	Twin-Turbo & Intercooled Direct Injection Diesel	Turbocharged & Intercooled Direct Injection Diesel	Twin-Turbo & Intercooled Direct Injection Diesel	Twin-Turbo & Intercooled Direct Injection Diesel
Type	6 Speed Manual	6 Speed Automated Manual	6 Speed Manual	6 Speed Automated Manual	6 Speed Manual	6 Speed Manual
Driven wheels	Front			Rear		
fuel consumption						
Emission standard	Euro 5					
Fuel tank capacity (L)	100					

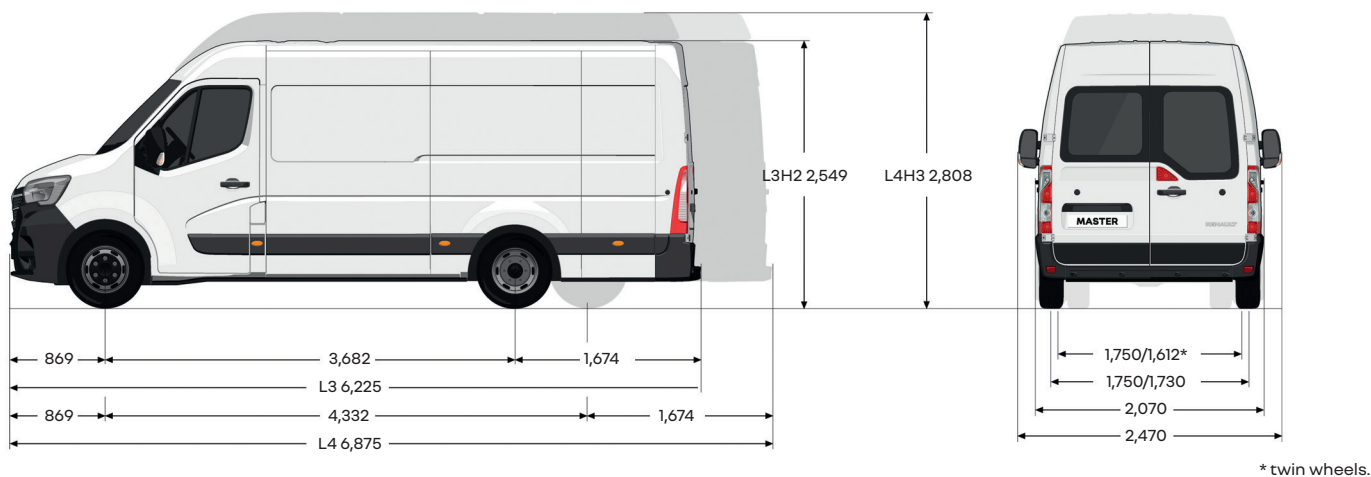
weights and loads	L2H2 MWB FWD MT PRO 120kW	L2H2 MWB FWD AMT PRO 110kW	L3H2 LWB FWD MT PRO 120kW	L3H2 LWB FWD AMT PRO 110kW	L3H2 LWB RWD MT PRO 120kW	L4H3 ELWB RWD MT PRO 120kW
Seating capacity	3					
Overall height (Unladen - kg)	2499		2488		2549	2808
Kerb weight (kg)	1887		1977		2253	2363
Gross vehicle mass (kg)		3510			4495	
Payload (kg)	1623		1533		2242	2132
Front axle load (max - kg)			1850			
Rear axle load (max - kg)		2100			3200	
Maximum towing weight, braked (kg)		2500			3000	
Maximum towing weight, unbraked (kg)			750			
Maximum towing weight, download (kg)			200			

04. dimensions

front-wheel drive panel van



rear-wheel drive panel van



	L2H2 MWB FWD MT PRO 120kW	L2H2 MWB FWD AMT PRO 110kW	L3H2 LWB FWD MT PRO 120kW	L3H2 LWB FWD AMT PRO 110kW	L3H2 LWB RWD MT PRO 120kW	L4H3 ELWB RWD MT PRO 120kW
Wheelbase (mm)	3682		4332		3682	4332
Front track (mm)			1750			
Rear track (mm)		1730				1612
Overall width (excl standard door mirrors - mm)			2070			
Overall width (incl standard door mirrors - mm)			2470			
Overall length (mm)	5575			6225		6875
Maximum cargo bay length (mm)	3083			3733		4383
Maximum cargo bay width (mm)			1765			
Cargo bay width between wheel arches (mm)		1380				1080
Cargo bay load volume (m³)	10.8		13		12.4	17
Maximum cargo bay height (mm)		1894			1798	2048
Front overhang (mm)			869			
Rear overhang (mm)		1024				1674
Loading sill height (unladen - mm)	Min: 548 / Max: 562		Min: 543 / Max: 557		Min: 706 / Max: 724	Min: 700 / Max: 715
Minimum ground clearance (mm)		214			213	214
Width of sliding door(s) (mm)			1270			
Height of sliding door(s) (mm)		1780				1684
Rear door width (mm)			1580			
Rear door height (mm)		1820				1724

L1H1 technical images included for guidance purposes only. Stock availability is limited, check availability and confirm specifications with your dealer prior to ordering.

05. equipment and options

	L2H2 MWB FWD MT PRO 120kW	L2H2 MWB FWD AMT PRO 110kW	L3H2 LWB FWD MT PRO 120kW	L3H2 LWB FWD AMT PRO 110kW	L3H2 LWB RWD MT PRO 120kW	L4H3 ELWB RWD MT PRO 120kW
braking, suspension & steering						
Front braking system (diameter x thickness - mm)					302 x 28 Disc	
Rear braking system (diameter x thickness - mm)			305 x 12 Disc			302 x 18 Disc
Turning circle - kerb to kerb (M)	13.6			15.7		
Turns lock-to-lock			3.8			
passive safety						
Driver & passenger front airbags	■	■	■	■	■	■
3-Point seat belts w/ pre-tensioner and driver height adjustment	■	■	■	■	■	■
Driver side airbags	■	■	■	■	■	■
Driver seat belt warning	■	■	■	■	■	■
Brake pad wear indicator	■	■	■	■	■	■
Engine immobiliser	■	■	■	■	■	■
active safety						
Active Emergency Braking (AEBS) (car to car)	○	○	○	○	○	○
ESC (Electronic Stability Control)	■	■	■	■	■	■
ABS (Anti-Lock Braking System)	■	■	■	■	■	■
EBA (Emergency Brake Assist)	■	■	■	■	■	■
EBD (Electronic Brake Force Distribution)	■	■	■	■	■	■
Cruise control & speed limiter	■	■	■	■	■	■
Grip X-tend	■	■	■	■	■	■
Rear parking sensors	■	■	■	■	■	■
Reversing camera	■	■	■	■	■	■
Hill Start Assist (HSA)	■	■	■	■	■	■
Blind spot warning	■	■	■	■	■	■
Lane departure warning	■	■	■	■	■	■
exterior lighting						
Automatic dusk sensing headlights	■	■	■	■	■	■
Front fog lights	○pack	○pack	○pack	○pack	○pack	○pack
Rear fog lights	■	■	■	■	■	■
connectivity and multimedia						
MediaNav 7" touchscreen media & navigation system w/ Apple CarPlay® and Android Auto® smartphone replication^	■	■	■	■	■	■
Multifunction trip computer	■	■	■	■	■	■
Bluetooth® hands-free w/ audio streaming	■	■	■	■	■	■
2x15w MP3 - FM/AM radio w/ steering mounted controls	■	■	■	■	■	■
USB Audio input & 3.5mm Aux jack	■	■	■	■	■	■
12v auxiliary power outlet	■	■	■	■	■	■
convenience						
Remote central locking	■	■	■	■	■	■
Auto-door lock when driving	■	■	■	■	■	■
2-button foldable key	■	■	■	■	■	■
One-touch door locking	■	■	■	■	■	■
Keyless entry system	○pack	○pack	○pack	○pack	○pack	○pack
Variable speed windscreen wipers	■	■	■	■	■	■
Automatic rain sensing wipers	■	■	■	■	■	■
Manual height adjustable headlights	■	■	■	■	■	■
Automatic high/low beam function	■	■	■	■	■	■
Rear window demister	■	■	■	■	■	■
Coat hooks (x3)	■	■	■	■	■	■
Digital clock w/ air temp display	■	■	■	■	■	■
Day/night rear view mirror	■	■	■	■	■	■
Wide view mirror	■	■	■	■	■	■
Overhead storage shelf	■	■	■	■	■	■
Large dashboard storage compartment	■	■	■	■	■	■
6 x Cup holders (dash x 2, console x 2, seat back x 2)	■	■	■	■	■	■
Drink bottle door storage x2	■	■	■	■	■	■
Electric front windows w/ driver one-touch control	■	■	■	■	■	■
Start & stop (idle stop - programmable)	■	-	■	-	■	■
ECO mode	■	-	■	-	■	■
ESM (Energy Smart Management)	■	-	■	-	■	■
Eaton® automatic differential lock	-	-	-	-	○	○
Gear shift indicator	■	■	■	■	■	■

■ = Standard; ○ = Factory Option; - = Not available
 ^ compatibility may vary depending on phone

Specs and features listed are applicable to MY24 Master Van variants. Confirm specification of your vehicle with your dealer prior to ordering.

05. equipment and options

	L2H2 MWB FWD MT PRO 120kW	L2H2 MWB FWD AMT PRO 110kW	L3H2 LWB FWD MT PRO 120kW	L3H2 LWB FWD AMT PRO 110kW	L3H2 LWB RWD MT PRO 120kW	L4H3 ELWB RWD MT PRO 120kW
comfort						
Height, reach & lumbar adjustable driver's seat w/ armrest	■	■	■	■	■	■
Isringhausen® driver's suspension seat (n/a w/ driver side airbag)	○	○	○	○	○	○
Dual passenger bench seat w/ fold down centre seat & seat back table	■	■	■	■	■	■
Power steering	■	■	■	■	■	■
Height adjustable steering column	■	■	■	■	■	■
Height, reach & lumbar adjustable single passenger seat w/ side airbag	○	○	○	○	○	○
Front head rests x 3 (2 height adjustable)	■	■	■	■	■	■
Manual air conditioning w/ pollen filter	■	■	■	■	■	■
interior styling						
Two-tone grey cloth upholstery	■	■	■	■	■	■
Premium dashboard with chrome trims	○pack	○pack	○pack	○pack	○pack	○pack
exterior styling						
Wheel diameter (inches)	6.5 J16	6.5 J16	6.5 J16	6.5 J16	5.5 J16	5.5 J16
Tyres	225/65 R16 (Single)	225/65 R16 (Single)	225/65 R16 (Single)	225/65 R16 (Single)		
Tyres (front)					195/75 R16 (Single)	195/75 R16 (Single)
Tyres (rear)					195/75 R16 (Dual) 195/75 R16 (Dual)	
Tinted windows	■	■	■	■	■	■
Halogen headlights	■	■	■	■	■	■
Front LED daytime running lights	■	■	■	■	■	■
Body side protection mouldings	■	■	■	■	■	■
Integrated front bumper step	■	■	■	■	■	■
Integrated rear bumper step	○pack	○pack	○pack	○pack	■	■
Left sliding door - unglazed	■	■	■	■	■	■
Right & left sliding doors - unglazed	○	○	○	○	○	○
Left sliding door, right panel - glazed	○	○	○	○	○	○
Rear 270 barn doors - glazed	■	■	■	■	■	■
Front & rear mud flaps	■	■	■	■	■	■
16" steel wheel - with small hub caps	■	■	■	■	■	■
Spare wheel (under body)	■	■	■	■	■	■
Exterior chrome trims	○pack	○pack	○pack	○pack	○pack	○pack
Electric adjustable door mirrors w/ wide angle blind spot mirror	■	■	■	■	■	■
cargo area						
Mid-height wooden cargo bay lining	■	■	■	■	■	■
Full height wooden protection lining	○pack	○pack	○pack	○pack	○pack	○pack
Anti slip timber floor	○pack	○pack	○pack	○pack	○pack	○pack
Interior cargo bay light	■	■	■	■	■	■
LED cargo bay lighting	○pack	○pack	○pack	○pack	○pack	○pack
12V Aux power outlet	■	■	■	■	■	■
Steel bulkhead - glazed	■	■	■	■	■	■
Cargo tie downs	■	■	■	■	■	■
Grab handle at all entrances	■	■	■	■	■	■
options & packs						
Trade Pack						
- Timber floor w/ anti slip finish	○	○	○	○	○	○
- Full height ply side protection lining						
- LED cargo bay lighting						
Business Pack						
- Premium dashboard with chrome trims	○	○	○	○	○	○
- Exterior chrome trims						
- Front fog lights						
- Hands-free entry system						
single options						
Left & right sliding doors - glazed (N/A with Trade Pack)	○	○	○	○	○	○
Right sliding door	○	○	○	○	○	○
Isringhausen® driver suspension seat - no driver side airbag (N/A with single passenger seat)	○	○	○	○	○	○
Differential lock (RWD only)	-	-	-	-	○	○
Smart rear view mirror	○	○	○	○	○	○
peace of mind						
5 year / 200,000 km warranty	■	■	■	■	■	■
5 year roadside assistance	■	■	■	■	■	■
5 capped price services	■	■	■	■	■	■



For more information, call 1800 009 008 or visit www.renault.com.au. Details are correct at the time of publication and are subject to change. Vehicles depicted in this brochure are overseas models and are shown for illustration purposes only; Australian vehicles may differ in features, specifications, equipment, accessories and/or colour. RVDA Pty Ltd reserves the right to discontinue or change its models at its discretion and without prior notice, including features, specifications, equipment, accessories available and colour. The colours in the photographs may vary from actual colours. Please consult your Renault dealer for the latest information on models, features, specifications, prices, options and availability. Publication date - October 2024. RVDA Pty Ltd, 2A Hill Road, Lidcombe NSW 2141. REN1393.

